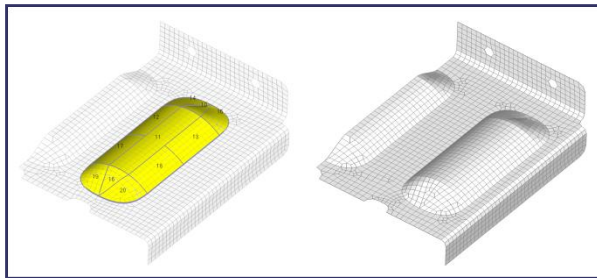
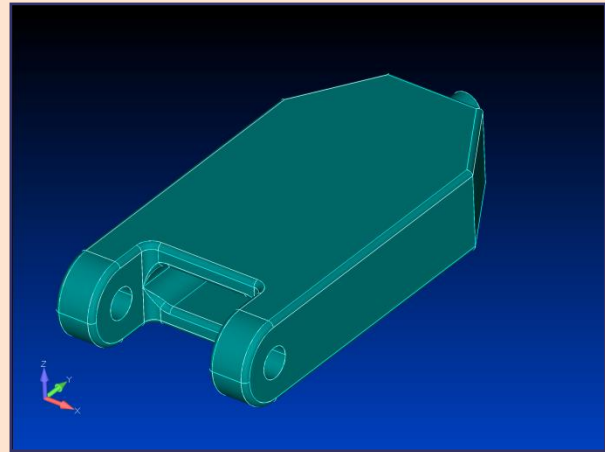


Top 5 Reasons to Upgrade to Femap



1. CAD Access

Femap enables engineers and analysts to import CAD data in native format by offering neutral CAD support. This allows for effortless import of your own CAD data as well as data from your clients and/or suppliers, regardless of source.

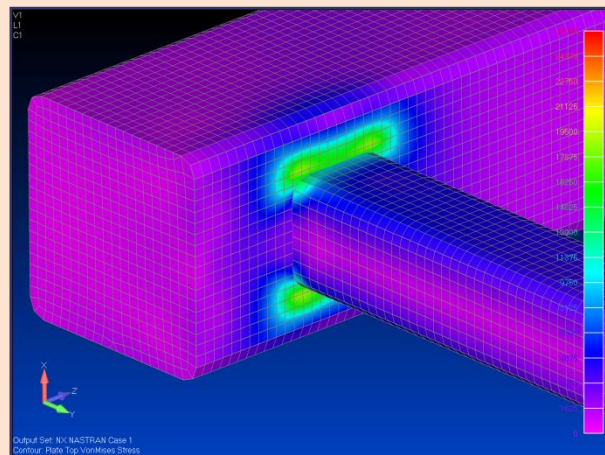


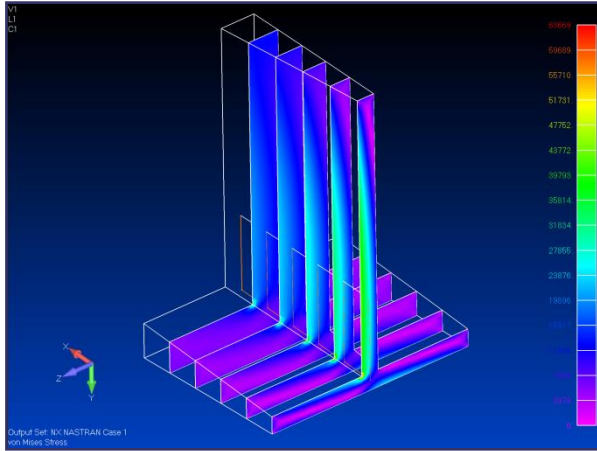
2. Pre-Processing Tools

Femap offers a powerful set of tools to help prepare geometry and finite element models for analysis. These tools allow for intuitive boundary condition creation, including support for complex loading definitions required by more advanced types of analyses such as heat transfer and dynamics.

3. Assembly Modeling Capabilities

Femap can automatically detect contacts in assembly models. This allows the user to easily determine all contact areas, and define whether these areas should be glued together or simply be in sliding contact. Naturally, Femap supports all recent NX Nastran enhancements made for linear contact and glue.



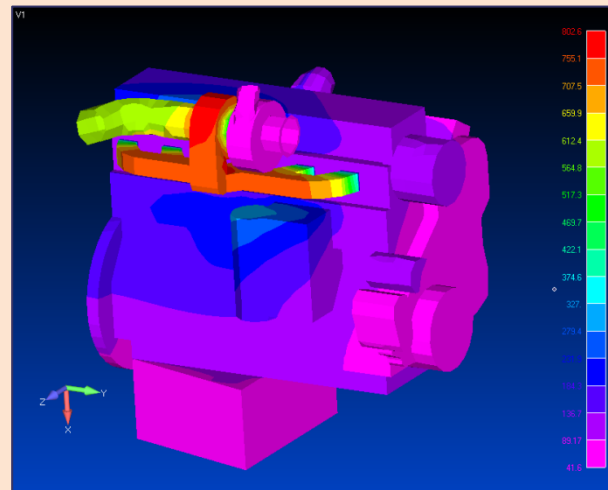


4. Structural Solver Support

Femap supports all popular structural solvers on the market. Femap is especially well integrated with the NX Nastran solver, but its solver neutrality means that Femap also supports other popular versions of Nastran, as well as Ansys, Abaqus, LSDyna, and Adina.

5. Multi-Physics Capability with Femap Thermal and Flow

Femap users have the option of purchasing Femap Thermal and/or Femap Flow. These high end solvers are fully supported within the Femap user interface for pre-processing, solution, and post-processing. The solvers are fully coupled for a true multi-physics solution.



The Femap and MAYA Advantage

Femap is an advanced computer aided engineering (CAE) tool for pre- and post-processing finite element analysis (FEA) models for structural, thermal, and flow. With its powerful capabilities, Femap offers the best price/functionality ratio in the industry.

As an OEM developer of Femap solvers for Siemens PLM, MAYA has a comprehensive knowledge of the capabilities of Femap and its associated solvers. Together, we can evaluate your CAE analysis requirements and provide you with the Femap configuration that best suits your needs.

MAYA Simulation Technologies

www.mayasim.com

info@mayasim.com

800 343 6292 (toll-free)

514 369 4200 (fax)